

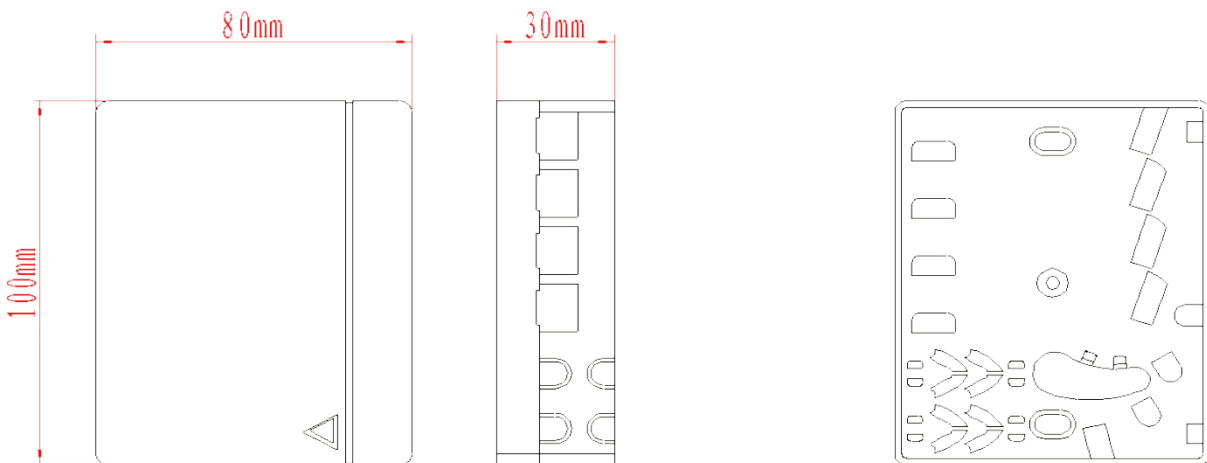
DN-948050

Wall Outlet Box Specifications-Fttx - Installation Kit, 4-Core, LC Connector



Dimensions and Capacity

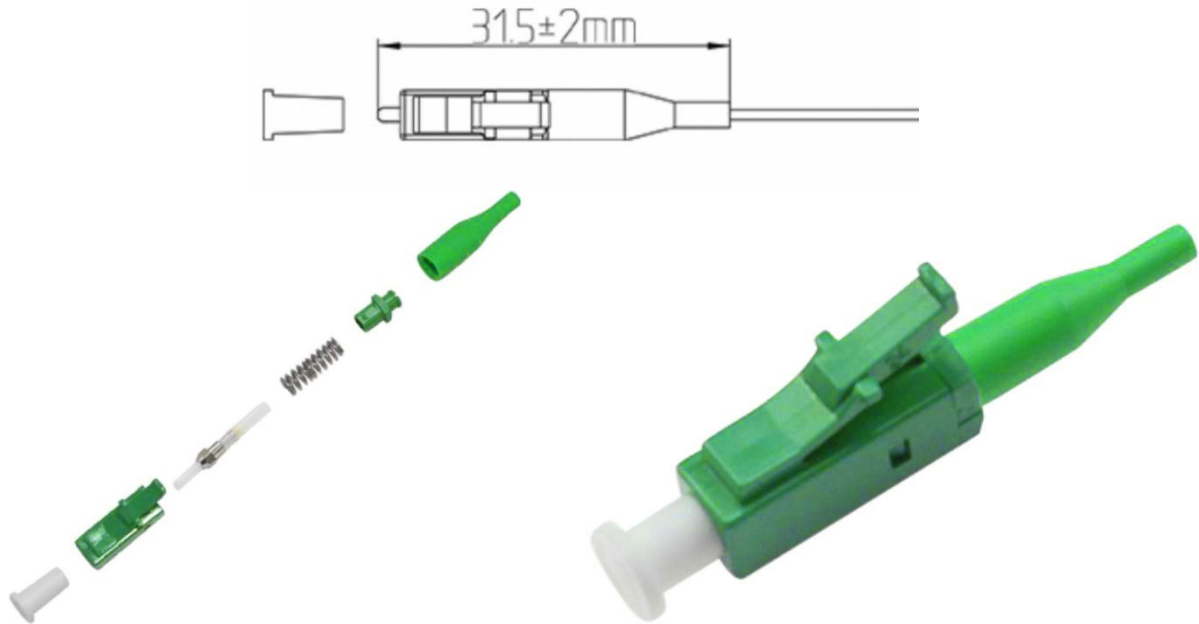
Dimensions (H*W*D)	100 mm * 80 mm * 30 mm
Color	White
Weight	75 g
Adapter Type	LC Duplex
Adapter Capacity	4 Pcs
Working Temperature	-40 °C ~ +65 °C



DN-948050

Wall Outlet Box Specifications-Fttx - Installation Kit, 4-Core, LC Connector

LC Connector

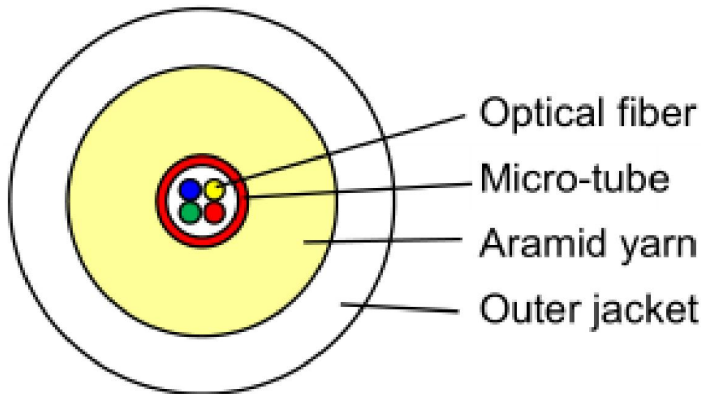


Mode	Single Mode (SM)
Polish	APC
Insertion Loss	≤ 0.250 dB
Return Loss	≥ 60 dB
Test Wavelength	1310/1550 nm
Durability (500 Matings)	≤ 0.2 dB
Operating Temperature	-40 °C ~ +60 °C
Storage Temperature	-45 °C ~ +85 °C
Fire Resistant	IEC 60794-2-30
Standards-Compliant	ROHS, IEC and GR-326

DN-948050

Wall Outlet Box Specifications-Fttx - Installation Kit, 4-Core, LC Connector

Cable Specifications



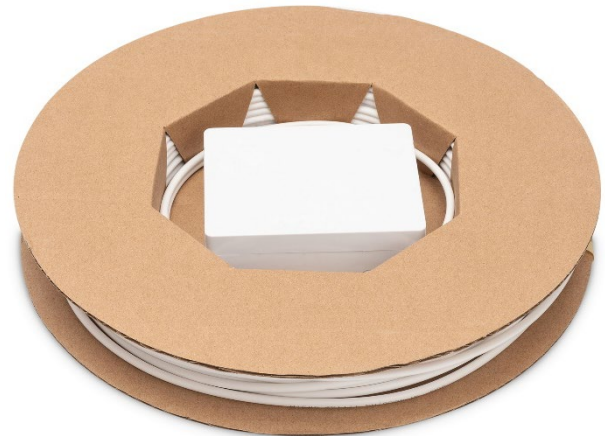
Technology Specifications

Item	Technology Parameter
Cable Type	GJFXH-4B6 (4.0)
Fiber Type	9/125 (G.657A2)
Fiber Color	Blue, Green, Yellow, Red
Micro-Tube Color	Red
Micro-Tube Material	LSZH
Micro-Tube Diameter mm	0.95 ± 0.05
Strength Member	Aramid Yarn
Outer Jacket Color	Ivory White
Outer Jacket Material	LSZH
Outer Jacket Thickness mm	0.75 ± 0.05
Outer Jacket Diameter mm	4.0 ± 0.2
Cable Weight kg/km	Approx. 13.5
Min. Bending Radius mm (D: Cable Diameter)	10D (Static) 20D (Dynamic)
Attenuation dB/km	≤ 0.4 at 1310 nm, ≤ 0.3 at 1550 nm
Short Term Tensile N	200
Crush Resistance N/100 mm	500
Operation Temperature	0 °C ~ +70 °C

DN-948050

Wall Outlet Box Specifications-Fttx - Installation Kit, 4-Core, LC Connector

Packaging



Shipping Information

Cable Length	25 m – 100 m
Reel Diameter	Ø 190 mm
Product Dimensions (W*H*D)	Ø 235 mm * 80 mm
Package Dimensions (W*H*D)	250 mm * 250 mm * 95 mm
Material	Carton Box
Weight	0.56 kg